

WELDING HOSE REEL

No. 223-AS

Welding artists



**ADVANCED FLUID
MANAGEMENT SOLUTIONS**



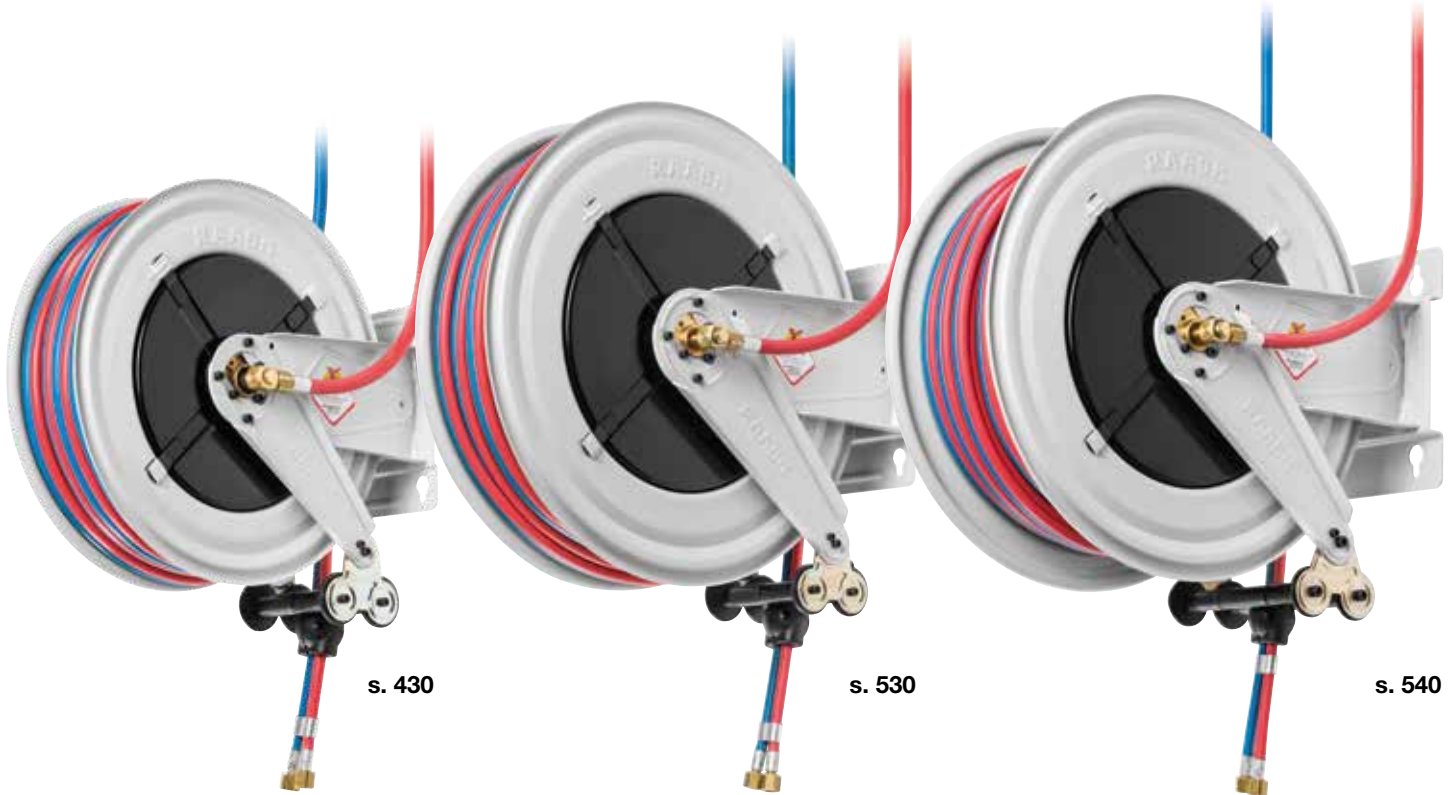


Hose reel
WELDING

Pressure
20 bar

Material
PAINTED STEEL

WITH SPRING



| | P/N | Hose supplied | Connection | | Weight | |
|--|---------------|---------------|---|------------|------------|---------|
| | | | inlet | outlet | | |
| Hoses SBR/EPDM for oxy-acetylene EN ISO 3821 | s. 430 | 8430.700 | without hose | G 3/8" (m) | G 3/8" (m) | 18,5 kg |
| | | 8430.701 | 13 m - 2 x 6 mm - (2 x 1/4") (973.913) | G 3/8" (f) | G 3/8" (f) | 23,7 kg |
| | | 8430.702 | 12 m - 2 x 8 mm - (2 x 5/16") (974.912) | G 3/8" (f) | G 3/8" (f) | 23,4 kg |
| Connections brass | s. 530 | 8530.700 | without hose | G 3/8" (m) | G 3/8" (m) | 23,2 kg |
| | | 8530.701 | 17 m - 2 x 6 mm - (2 x 1/4") (973.917) | G 3/8" (f) | G 3/8" (f) | 29,7 kg |
| | | 8530.702 | 20 m - 2 x 6 mm - (2 x 1/4") (973.920) | G 3/8" (f) | G 3/8" (f) | 30,9 kg |
| Seals Viton® | s. 530 | 8530.703 | 15 m - 2 x 8 mm - (2 x 5/16") (974.915) | G 3/8" (f) | G 3/8" (f) | 29,4 kg |
| | | 8530.704 | 20 m - 2 x 8 mm - (2 x 5/16") (974.920) | G 3/8" (f) | G 3/8" (f) | 31,7 kg |
| | | 8530.705 | 15 m - 2 x 9 mm - (2 x 3/8") (975.915) | G 3/8" (f) | G 3/8" (f) | 31,5 kg |
| Swivel joint brass | s. 540 | 8540.700 | without hose | G 3/8" (m) | G 3/8" (m) | 30,0 kg |
| | | 8540.701 | 25 m - 2 x 6 mm (2 x 1/4") (973.925) | G 3/8" (f) | G 3/8" (f) | 38,8 kg |
| | | 8540.702 | 30 m - 2 x 6 mm (2x1/4") (973.930) | G 3/8" (f) | G 3/8" (f) | 39,2 kg |
| Central pin galvanized steel | s. 540 | 8540.704 | 25 m - 2 x 8 mm (2 x 5/16") (974.925) | G 3/8" (f) | G 3/8" (f) | 40,2 kg |
| | | 8540.705 | 30 m - 2 x 8 mm (2 x 5/16") (974.930) | G 3/8" (f) | G 3/8" (f) | 42,2 kg |
| | | 8540.707 | 20 m - 2 x 9 mm (2 x 3/8") (975.920) | G 3/8" (f) | G 3/8" (f) | 40,0 kg |
| Wall bracket fixed | s. 540 | 8540.709 | 27 m - 2 x 9 mm (2 x 3/8") (975.927) | G 3/8" (f) | G 3/8" (f) | 42,6 kg |

In accordance with directive



Hose reel capacity for the without hose versions

| inner hose ø | max. length s. 430 | max. length s. 530 | max. length s. 540 |
|--------------|--------------------|--------------------|--------------------|
| 2 x 1/4" | 13 m | 22 m | 37 m |
| 2 x 5/16" | 12 m | 20 m | 35 m |
| 2 x 3/8" | 10 m | 15 m | 27 m |

| Overall dimensions (mm) | | | Series | A | B | C | D | E | F | G | H | I | Packaging (mm) W x D x H |
|-------------------------|-----|-----|--------|-----|-----|-----|-----|-----|-----|-----|---|-----------------|--------------------------|
| | 430 | 186 | 140 | 197 | 226 | 97 | 450 | 415 | 456 | 264 | | 580 x 280 x 590 | |
| | 530 | 203 | 153 | 221 | 258 | 104 | 535 | 510 | 558 | 315 | | 650 x 290 x 700 | |
| | 540 | 300 | 218 | 227 | 268 | 165 | 535 | 510 | 572 | 315 | | 660 x 390 x 690 | |

(W: width - D: depth - H: height)

EXAMPLES OF USE

AUTOMOTIVE

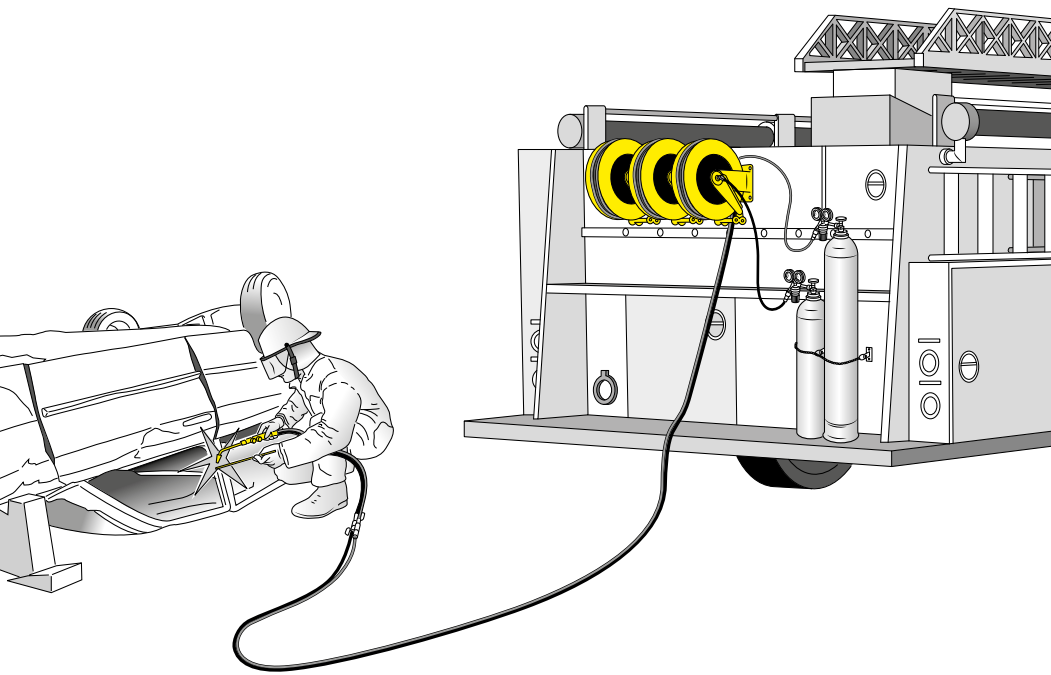
LUBE TRUCKS
AND INDUSTRIAL
VEHICLES

CHEMICAL
INDUSTRY

MANUFACTURING
INDUSTRY

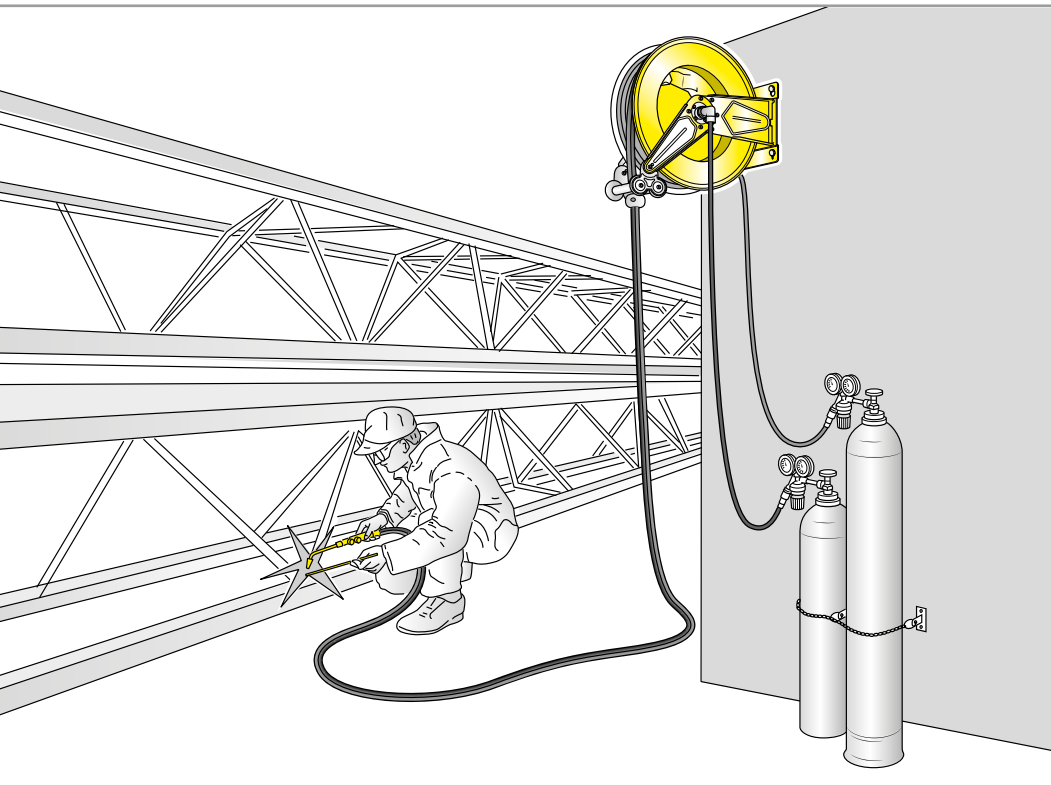
BUILDING
AND ROAD
CONSTRUCTION

...and much more



ROAD ASSISTANCE

METALLIC BUILDINGS CONSTRUCTIONS



STRENGTH POINTS

- All models comply with the ATEX directive for use in environments with potentially explosive atmospheres.
- Repeated spring stress-test guarantees decades of life and efficiency.
- Hose stop available for all standard models, even those supplied without hose.
- The spring force is both constant and adjustable.
- Available as standard with adjustable arms and fixing bracket with slotted holes.



ADVANCED FLUID MANAGEMENT SOLUTIONS

technology, quality, efficiency

The starting point for the entire manufacturing cycle is the research and development of cutting-edge solutions for products fully made in Italy.

One of our most important target is to offer high level of quality. Rigorous tests follow every single phase of the manufacturing process.

RAASM offers the most complete range of fluid management solutions suitable for many sectors. Our success is founded upon our ability to identify and fulfill specific customers' requirements.



Company with an
ISO 9001:2015
certified quality
management system

RAASM S.p.A.
36022 S. ZENO DI CASSOLA (VI)
Via Marangoni, 33 - ITALY

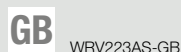
Export department

Tel. +39 0424 571130 - Fax +39 0424 571135

Technical department

Tel. +39 0424 571150 - Fax +39 0424 571155

info@raasm.com - www.raasm.com



Authorized distributor