

STAND FOR RAASM PRODUCTS



**ADVANCED FLUID
MANAGEMENT SOLUTIONS**



EXALTT THE QUALITY



**ADVANCED FLUID
MANAGEMENT SOLUTIONS**

STAND

“STELVIO”

✓ STRENGTH POINTS

- Bring out the articles, bring out the quality
- Let your customers touch the best Made in RAASM manufactures
- Disclose RAASM's elegance and design
- Customize the stand how and when you want
- Place and fix the stand easily and quickly



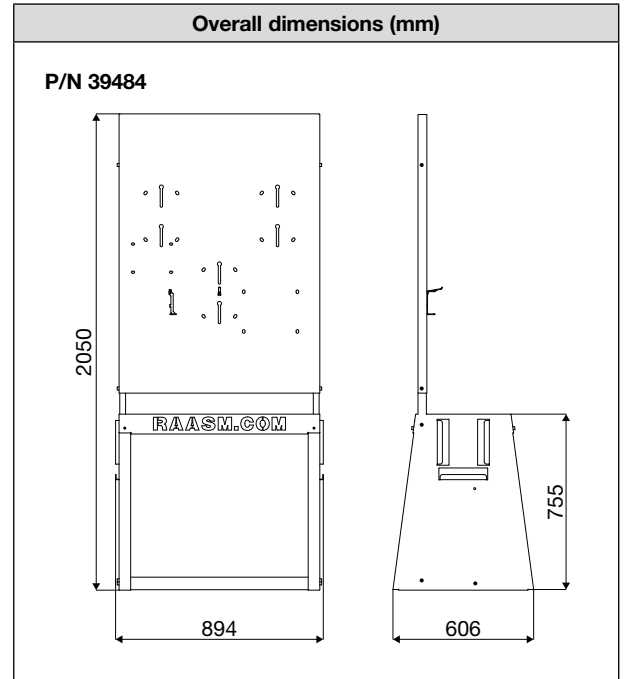
TECHNICAL CHARACTERISTICS

SUPPLIED WITH

RAASM logo in aluminum serigraphy
Grease gun supporting hook
Gun with digital liter counter supporting hook
Manual with mounting instructions

OPTIONAL

KR3948: Bolts and screws kit
for the floor fixing and articles
mounting



Stand with diaphragm pumps

Stand with hose reels

Mixed stand





BENCH MOUNTING

The product's stand P/N 39484 "Stelvio" is designed to host a lot of RAASM articles.

Universal holes on the bench and on the vertical panel allow an easy and safe mounting of the products, ensuring a great visibility.

On bench

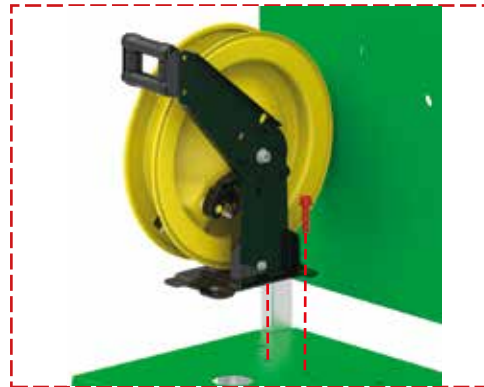
you can mount:

- one or two grounding hose reels (version 735000)
- one or two hose reels of the S. 290, 330, 390 and 430
- one diaphragm pump S. 1120-AB
- one diaphragm pump S. 1000-AB
- one or two diaphragm pumps S. 120-PPAB
- up to four piston pumps S. 500, 600 and 650 (with appropriate bung adaptor)

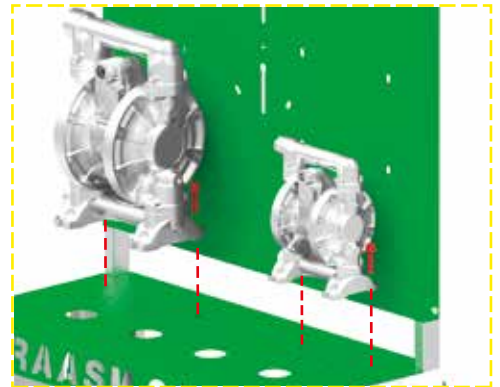
On vertical panel

you can mount:

- up to three hose reels S. 250, 260, 280, 290, 300, 330, 390 and 430
- one diaphragm pump S. 120-PPAB or 1000-AB (with appropriate bracket)
- one diaphragm pump S. 120-AB, 120-PPAB or 120-PPB (with appropriate bracket)
- one gun with digital liter counter (with appropriate hook)
- one grease gun (with appropriate hook)

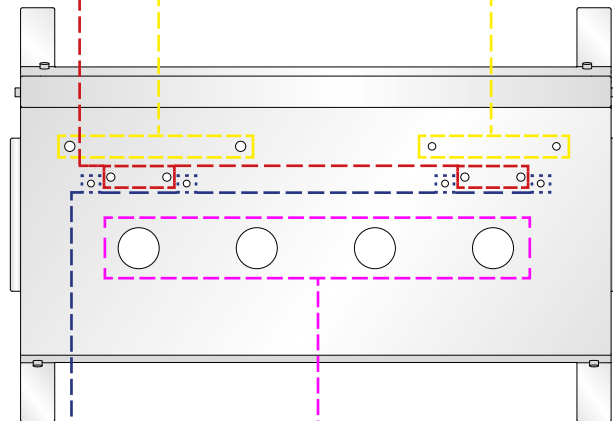


Holes for grounding hose reels P/N 735000 and versions with cable



Holes for diaphragm pumps 1 1/2" S. 1120-AB

Holes for diaphragm pumps 1" S. 1000-AB

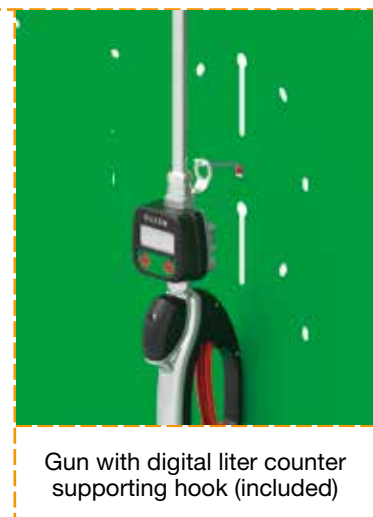
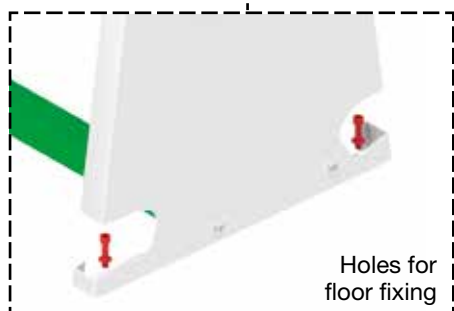
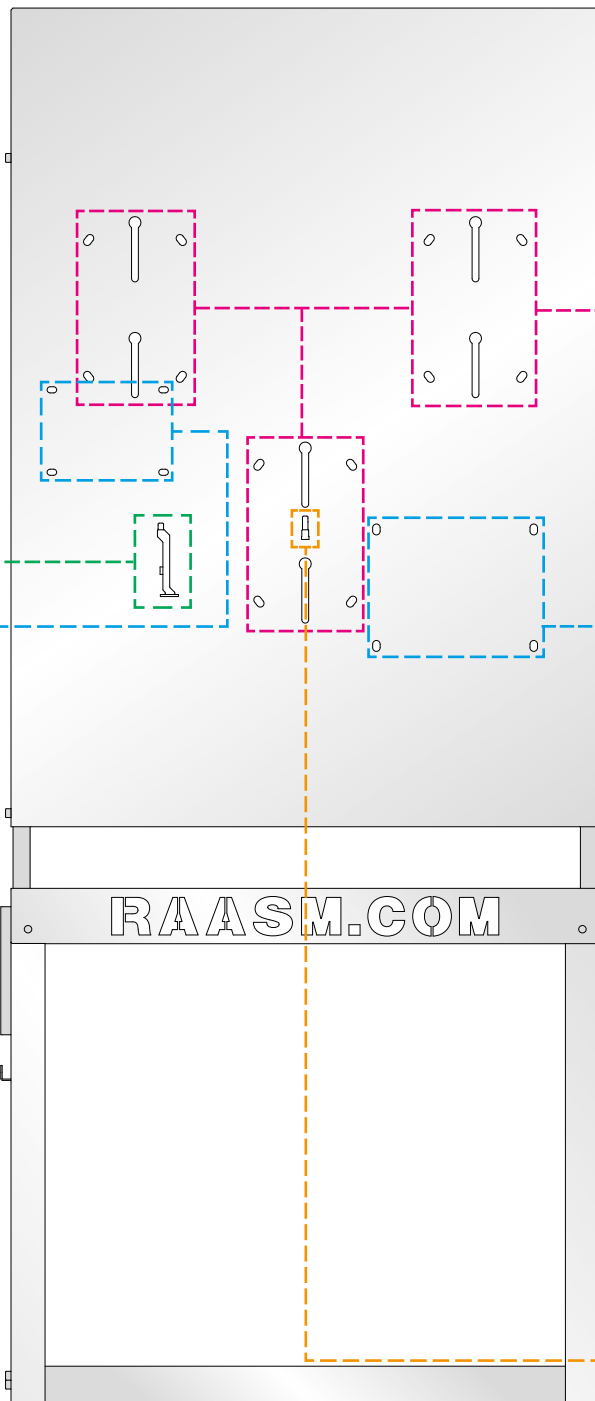
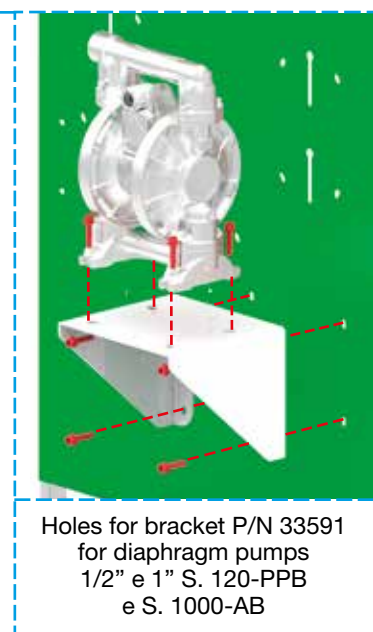
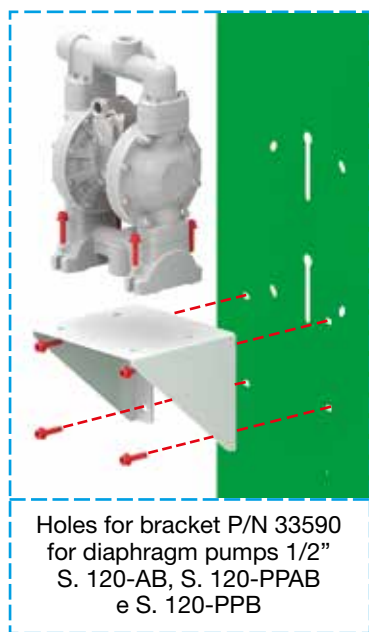
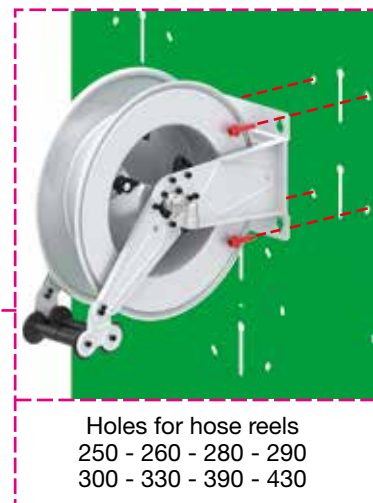


Holes for hose reels S. 290-330-390-430 diaphragm pumps 1/2" S. 120-PPAB



Holes for piston pumps S. 500 - 600 - 650 with bung adaptor P/N 38042 - 38044 - 38046 - 33434

VERTICAL PANEL MOUNTING





**ADVANCED FLUID
MANAGEMENT SOLUTIONS**

STAND

“CERVINO”

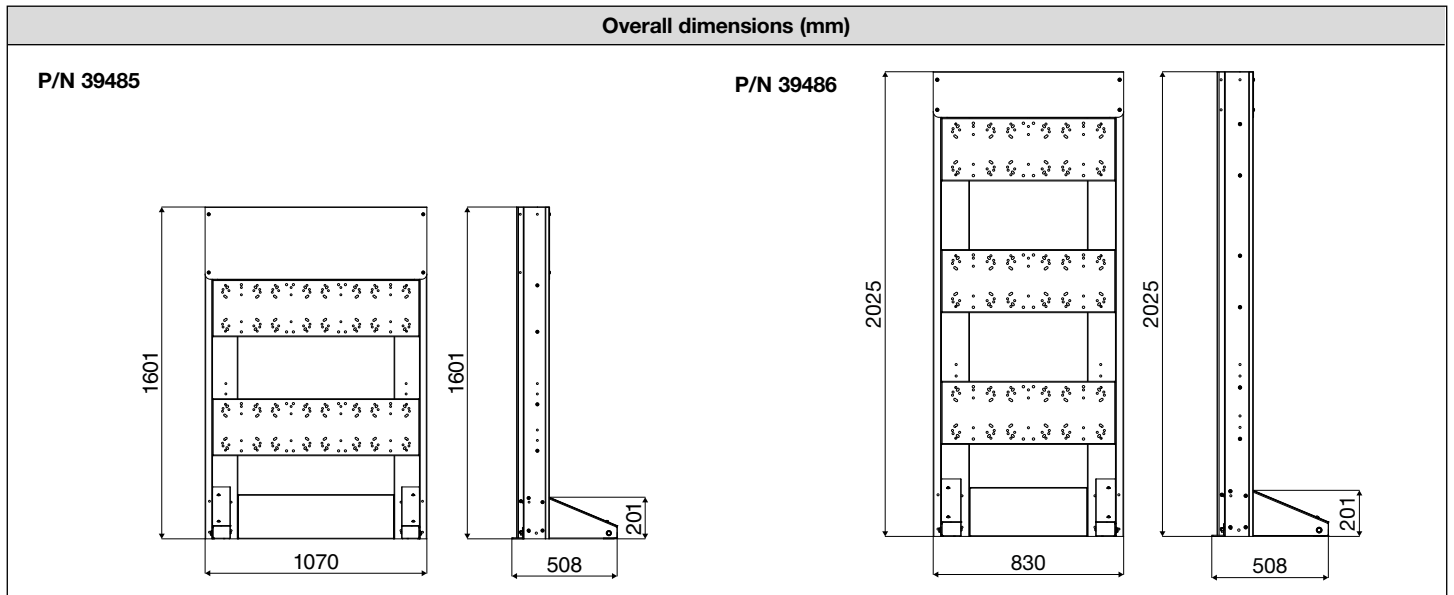
✓ STRENGTH POINTS

- Bring out the articles, bring out the quality
- Show in little space all the RAASM hose reels and cable reels range
- Customize the stand with RAASM or your own labels
- Maximum capacity of 9 hose reels and cable reels

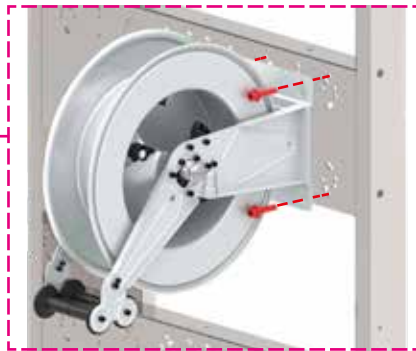
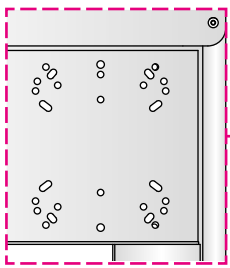


TECHNICAL CHARACTERISTICS

Overall dimensions (mm)



VERTICAL PANEL MOUNTING



Holes for hose reels
Series 250 - 260 - 280 - 290 - 300 - 330 - 390 - 430 RAASM,
fixed and enclosed versions.

P/N 39485



P/N 39486





■ Technology

The research and development of cutting-edge solutions, carried out entirely in Italy, is the starting point for the entire production cycle.



■ Quality

Offering high-quality products is one of our main objectives. Specific and rigorous tests accompany every single stage of the production process.



■ Efficiency

RAASM offers a complete range of fluid management solutions suitable for many different sectors of use. Our success is founded on the ability to identify and satisfy the specific needs of our customers.



RAASM S.p.A.
36022 S. ZENO DI CASSOLA (VI)
Via Marangoni, 33 - ITALY

Export department

Tel. +39 0424 571130 - Fax +39 0424 571135

Technical department

Tel. +39 0424 571150 - Fax +39 0424 571155

info@raasm.com - www.raasm.com



Authorized dealer