



PUMP BASE WITH ADAPTORS FOR INDUSTRIAL PUMPS

**ADVANCED FLUID
MANAGEMENT SOLUTIONS**


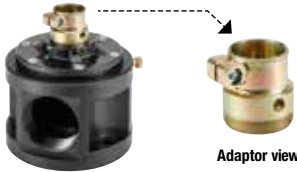

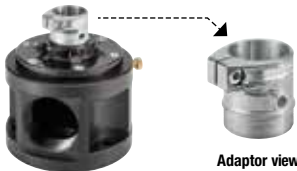

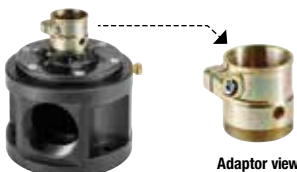




PUMP BASE WITH ADAPTORS FOR INDUSTRIAL PUMPS

Anodized aluminum pump base designed for RAASM industrial pumps connection to the plant or to the bulk containers. Plant connection is NPT 3" (f) and there are 5 different adaptors which correspond with the RAASM suction tube industrial pumps width.



	<p>P/N 21-160 Anodized aluminum pump base for nipple or suction tube G 2" (m)</p>		<p>P/N 21-164 Pump base with adaptor for suction tube \varnothing 45 mm</p>
	<p>P/N 21-161 Pump base with adaptor for suction tube G 1" (f)</p>		<p>P/N 21-165 Pump base with adaptor for suction tube \varnothing 51 mm</p>
	<p>P/N 21-162 Pump base with adaptor for suction tube G 2" (f)</p>		<p>P/N 21-166 Pump base with adaptor for suction tube \varnothing 53 mm</p>

Application fields



Mining

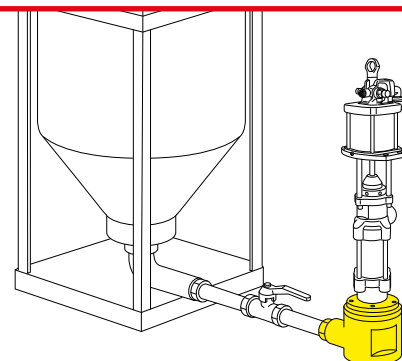


Chemical



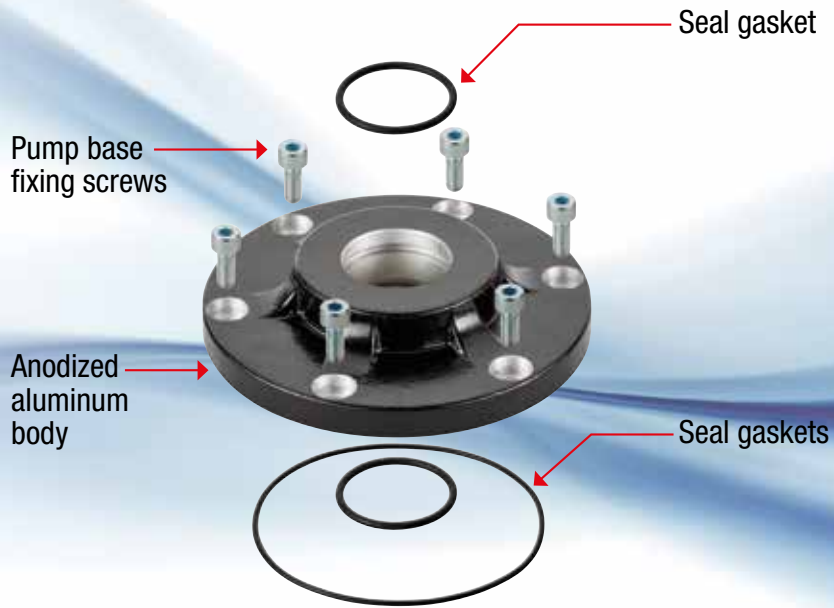
Industry

Example of use



FLANGES WITH INDUSTRIAL PUMPS ADAPTOR

Anodized aluminum flanges designed for RAASM industrial pumps connection to the pump base. They are available in 4 different versions for the industrial pump connection with seal gaskets.



P/N 21/61
Flange with seal gaskets
for suction tube \varnothing 43 mm



P/N 21/64
Flange with seal gaskets
for suction tube \varnothing 45 mm



P/N 21/62
Flange with adaptor
for suction tube G 2" (f)



P/N 21/65
Flange with seal gaskets
for suction tube \varnothing 50,8 mm

Application fields



Mining

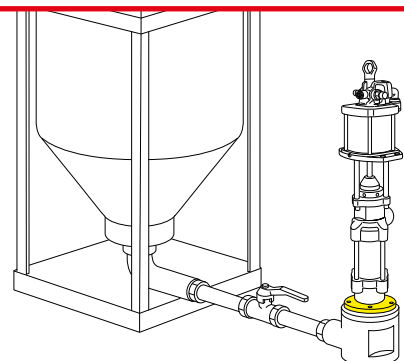


Chemical



Industry

Example of use





■ Technology

The research and development of cutting-edge solutions, carried out entirely in Italy, is the starting point for the entire production cycle.



■ Quality

Offering high-quality products is one of our main objectives. Specific and rigorous tests accompany every single stage of the production process.



■ Efficiency

RAASM offers a complete range of fluid management solutions suitable for many different sectors of use. Our success is founded on the ability to identify and satisfy the specific needs of our customers.



Company with an ISO 9001:2015 certified quality management system

RAASM S.p.A.
36022 S. ZENO DI CASSOLA (VI)
Via Marangoni, 33 - ITALY

Export department
Tel. +39 0424 571130 - Fax +39 0424 571135

Technical department
Tel. +39 0424 571150 - Fax +39 0424 571155
info@raasm.com - www.raasm.com



Authorized distributor