

AUTOMATIC HOSE GUIDE

No. 223-BA



“M-Arte”: art in action

**ADVANCED FLUID
MANAGEMENT SOLUTIONS**



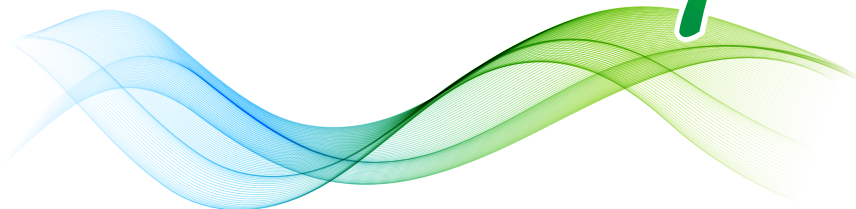
- IN AISI 316
STAINLESS STEEL
- IN PAINTED STEEL



HELP THE ENVIRONMENT

Depending on the item, the packaging may contain one or more of the following materials - to be recycled according to local municipal or state regulations.

cardboard • polyethylene bag • polystyrene paper • wood • nails • plastic straps
cellophane • paper clips • gummed paper





**ADVANCED FLUID
MANAGEMENT SOLUTIONS**



DESIGN IS

Art





**ADVANCED FLUID
MANAGEMENT SOLUTIONS**

AUTOMATIC HOSE GUIDE “M-ARTE”



STRENGTH POINTS

- Designed to move independently while rewinding the hose.
- Equipped with rollers, horizontal and vertical, that can be adjusted to the hose being used.
- Easy to assemble on both new hose reels and on equipment already in use.
- Designed with a security system which ensure the maximum protection to the operator also in case of distraction or hose accidental release.
- Available in AISI 316 stainless steel for corrosive atmospheres environments uses.

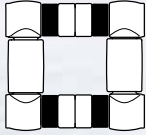
TECHNICAL CHARACTERISTICS

Visit our
website

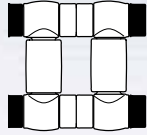


HOSE GUIDE
with security
system and
customizable
rollers

For hose $\geq \varnothing 1/2''$

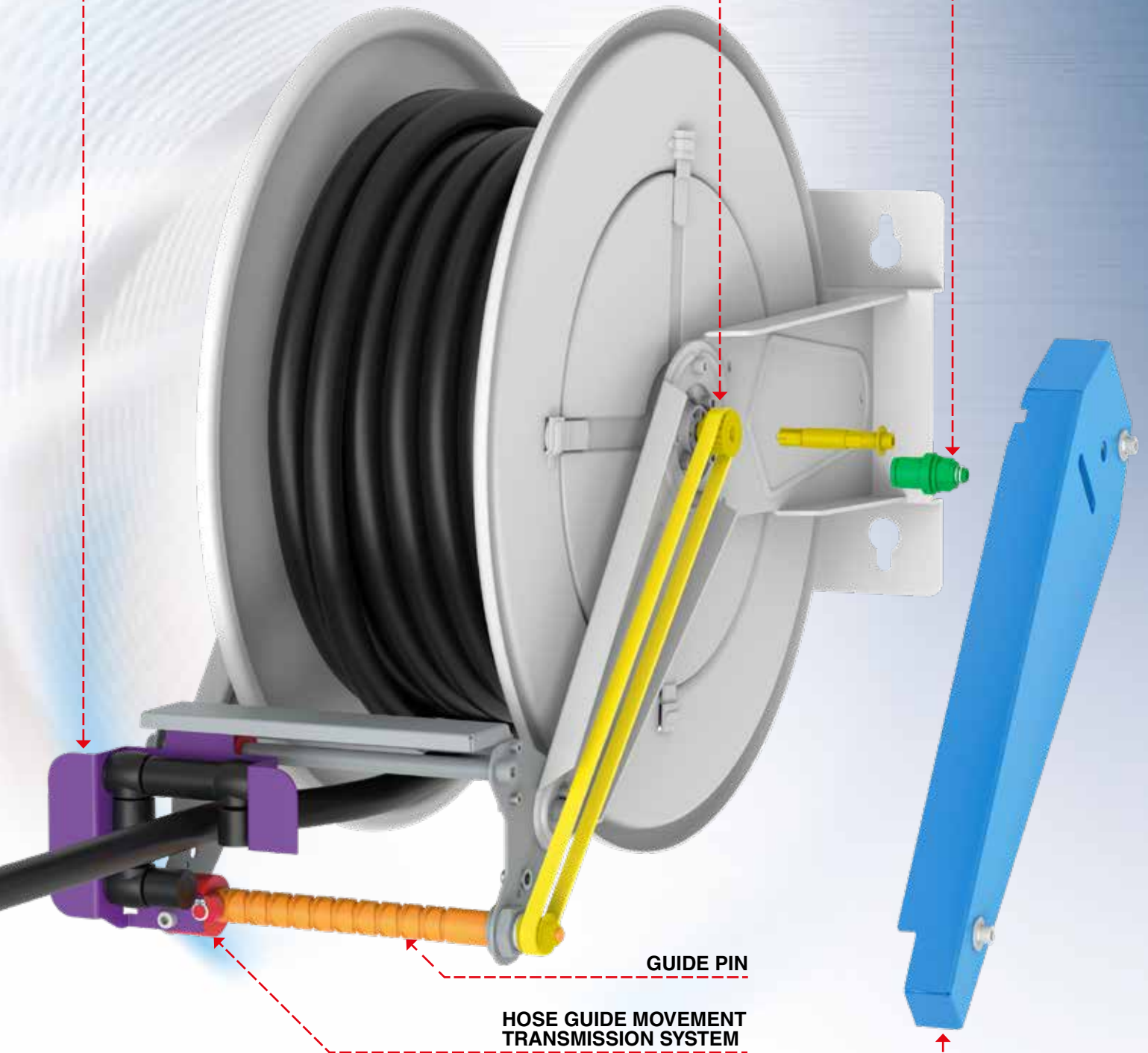


For hose $\leq \varnothing 1/2''$



**BELT DRIVE
TRANSMISSION
GROUP**

**TIGHTENER
PIN**



GUIDE PIN

**HOSE GUIDE MOVEMENT
TRANSMISSION SYSTEM**

**PROTECTIVE
COVER**



“M-ARTE” AUTOMATIC HOSE GUIDE IN PAINTED STEEL



The new automatic hose guide “M-Arte” guarantees correct arrangement of the hose on the drum, thus preventing haphazard rewinding.

P/N	Series	Material	Hose
77/44312	s. 430	painted steel	≤ 1/2”
77/44601	s. 436	painted steel	3/4” ÷ 1”
77/44612	s. 436	painted steel	≤ 1/2”
77/45301	s. 530	painted steel	≤ 1”
77/45312	s. 530	painted steel	≤ 1/2”
77/45401	s. 540	painted steel	≤ 3/4”
77/45402	s. 540	painted steel	1”
77/45412	s. 540	painted steel	≤ 1/2”
77/45601	s. 560	painted steel	≤ 3/4”
77/45602	s. 560	painted steel	1”
77/45612	s. 560	painted steel	≤ 1/2”

⚠ The hose reel equipped with automatic hose guide is not suitable for installation in potentially explosive atmosphere.

Overall dimensions (mm)	Series	A	B	C	D	E	F	Packaging (mm) W x D x H	
								W	D x H
	430	319	284	135	389	209	172		380 x 120 x 150
	530	375	341	137	458	223	187		370 x 135 x 370
	540	375	341	137	458	288	252		370 x 135 x 370
	560	375	341	137	458	472	436		200 x 130 x 510

(W: width - D: depth - H: height)



“M-ARTE” AUTOMATIC HOSE GUIDE IN AISI 316 STAINLESS STEEL



The new automatic hose guide “M-Arte” guarantees correct arrangement of the hose on the drum, thus preventing haphazard rewinding. AISI 316 stainless steel version allows the installation and the use in corrosive atmosphere environments too.

P/N	Series	Material	Hose
79/44312	s. 430	AISI 316 stainless steel	≤ 1/2”
79/45301	s. 530	AISI 316 stainless steel	≤ 1”
79/45312	s. 530	AISI 316 stainless steel	≤ 1/2”
79/45401	s. 540	AISI 316 stainless steel	≤ 3/4”
79/45402	s. 540	AISI 316 stainless steel	1”
79/45412	s. 540	AISI 316 stainless steel	≤ 1/2”
79/45601	s. 560	AISI 316 stainless steel	≤ 3/4”
79/45602	s. 560	AISI 316 stainless steel	1”
79/45612	s. 560	AISI 316 stainless steel	≤ 1/2”

⚠ The hose reel equipped with automatic hose guide is not suitable for installation in potentially explosive atmosphere.

Overall dimensions (mm)	Series	A	B	C	D	E	F	Packaging (mm) W x D x H	
								W	D x H
	430	319	284	135	389	209	172		380 x 120 x 150
	530	375	341	137	458	223	187		370 x 135 x 370
	540	375	341	137	458	288	252		370 x 135 x 370
	560	375	341	137	458	472	436		200 x 130 x 510

(W: width - D: depth - H: height)



■ Technology

The research and development of cutting-edge solutions, carried out entirely in Italy, is the starting point for the entire production cycle.



■ Quality

Offering high-quality products is one of our main objectives. Specific and rigorous tests accompany every single stage of the production process.



■ Efficiency

RAASM offers a complete range of fluid management solutions suitable for many different sectors of use. Our success is founded on the ability to identify and satisfy the specific needs of our customers.

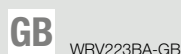


Company with quality and environment system according to ISO 9001:2015 and ISO 14001:2015 standards

RAASM S.p.A.
36022 S. ZENO DI CASSOLA (VI)
Via Marangoni, 33 - ITALY

Export department
Tel. +39 0424 571130 - Fax +39 0424 571135

Technical department
Tel. +39 0424 571150 - Fax +39 0424 571155
info@raasm.com - www.raasm.com



Authorized dealer