



ADVANCED FLUID
MANAGEMENT SOLUTIONS

RAASM S.p.a.

Via Marangoni 33, 36022
S. Zeno di Cassola (VI) Italy
Tel. +39 0424 570891
info@raasm.com

P/N 236530.350

Manual trolley-mounted hose reel s. 530, for hot water, 400 bar, without hose. Inlet G 3/8" (f), outlet G 1/2" (f). Hose guide, safety system and rotation lock as standard

AREAS OF USE

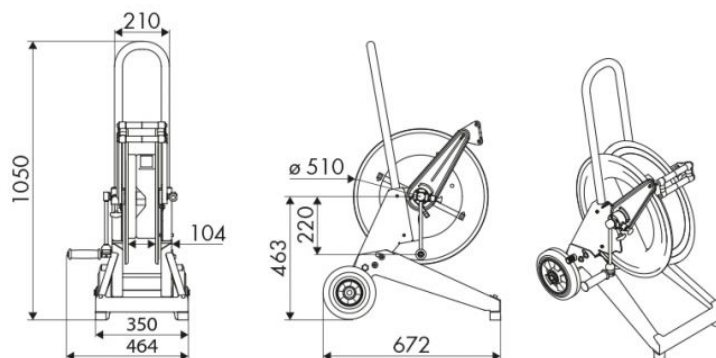
Agriculture, Building and road construction, Manufacturing industry, Mining industry, Lube trucks and transports, Railway transport

FEATURES

| | |
|-------------------|--|
| Pressure | 400 bar |
| Compatible fluids | water max 130 °C |
| Swivel joint | AISI 304 stainless steel |
| Seals | Teflon® |
| Characteristic | trolley-mounted |
| Material | painted steel with zinc plated steel trolley |
| Couplings | - |
| Hose | - |
| Ø and hose length | - |
| Inlet | G 3/8" (f) |
| Outlet | G 1/2" (f) |
| Reel flow path | AISI 304 stainless steel - zinc plated steel |



OVERALL DIMENSIONS (mm)



HOSE REELS CAPACITY

| Ø 1/4" | Ø 5/16" | Ø 3/8" |
|--------|---------|--------|
| 90 m | 65 m | 35 m |