



ADVANCED FLUID
MANAGEMENT SOLUTIONS

RAASM S.p.a.

Via Marangoni 33, 36022
S. Zeno di Cassola (VI) Italy
Tel. +39 0424 570891
info@raasm.com

P/N 74325.600

AISI 304 stainless steel manual hose reel with ABS drum s. 430, for diesel, 10 bar, without hose. Inlet G 1/2" (f), outlet G 1/2" (f)

AREAS OF USE

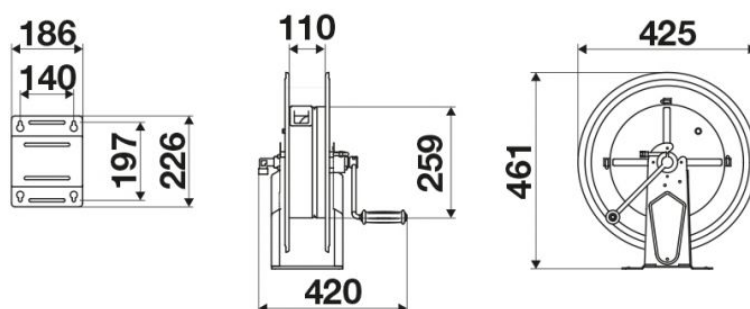
Agriculture, Cleaning, Chemical industry,
Manufacturing industry, Mining industry, Shipping and
offshore, Railway transport

FEATURES

Pressure	10 bar
Compatible fluids	diesel fuel
Swivel joint	brass
Seals	Viton®
Characteristic	fixed
Material	AISI 304 stainless steel with ABS drum
Couplings	-
Hose	-
Ø and hose length	-
Inlet	G 1/2" (f)
Outlet	G 1/2" (m)
Reel flow path	brass - AISI 304 stainless steel



OVERALL DIMENSIONS (mm)



HOSE REELS CAPACITY

Ø 1/4"	Ø 5/16"	Ø 3/8"	Ø 1/2"	Ø 5/8"
50 m	35 m	25 m	17 m	15 m